

LifeSmart[®]

Simply Brilliant

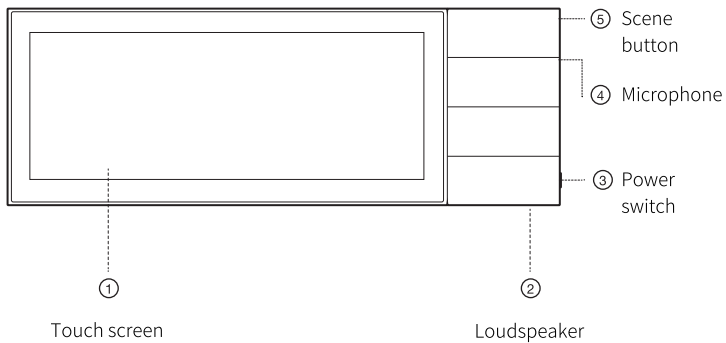
Nature (Smart Control Panel) Model. LS148

Setting up your LifeSmart Nature

User Guide Version 1.0

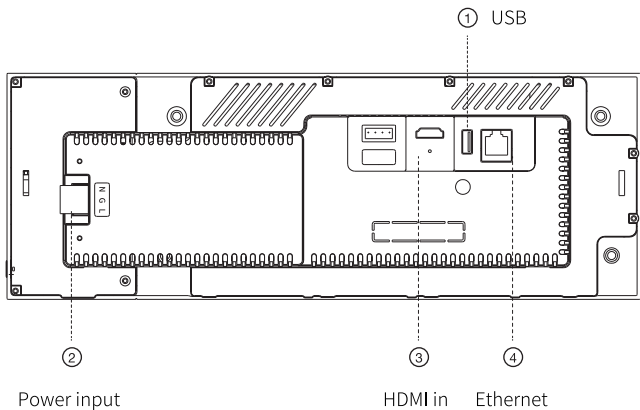
ILLUSTRATION

Front



ILLUSTRATION

Back



INTRODUCTION

Nature is a smart home control panel installed at the intersection of moving paths in your home. It has a 10.25-inch HD touch screen to provide you with a wide visual space and integrated with customized buttons to bring you a comfortable interaction experience.

Nature is equipped with a RJ45 network port, it can connect a router or a switch to access the WAN to transmit control signals to smart home devices and receive status feedback of devices, thus realizing control functions of smart devices such as turning off lights and opening curtains. With a powerful hardware platform to support multi-mode protocols and a customized operating system, it can not only serve as your personal smart housekeeper, but also work as a property management terminal, enabling you to synchronize your property information in a timely manner.

LifeSmart uses CNC technology to create a delicate appearance for Nature. Its extraordinary metal texture can be easily integrated into the home environment, revealing a profound and unique style.

SPECIFICATIONS

Product size	342(L) × 122(H) × 16(D)mm
Cassette size	335(L) × 114(H) × 70(D)mm
Screen solution	1920 × 720 pixels
Operating system	Android 5.1
CPU	Quad-core ARM
RAM	2GB
Power supply	100-240V AC live/null/earth wire
Wireless protocol	WiFi 2.4GHz
Peripheral interface	Ethernet port, HDMI, USB

IN YOUR PACKAGE

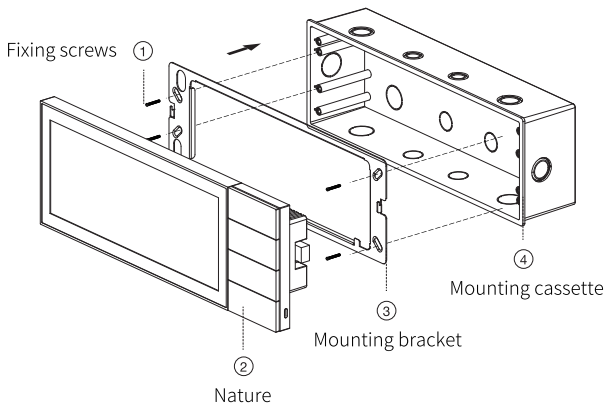
- Nature 1
- Fixing screws 4
- Mounting cassette 1
- User Guide 1
- Mounting bracket 1

INSTALLATION

- ① Cut off the electrical power supply. Take out the mounting cassette, ensure that the inner wall is clean and free of water, mud and other attachments, and open holes on the cassette for connection of the power wire and network cable.
- ② Fix the mounting bracket to the cassette with fixing screws, and keep the hook upward and towards the device.
- ③ Pass the power wire and the network cable through the holes on the cassette and connect them to the corresponding interfaces according to the marks. Wrap the power wire with electrical tape for insulation and never leave it exposed.

INSTALLATION

- ④ Place the wires in the cassette orderly, and hang the device on the mounting bracket for fixing.
- ⑤ Restore the power supply, and hold the power button for 5 second and release, the device turns on.



SET UP

Nature requires a LifeSmart Smart Station and the LifeSmart App to operate. Please download the App to your mobile device, set up your Smart Station and pair up end devices through LifeSmart App before proceeding to set up Nature. The App is available by scanning the following QR Code or going directly to the Google Play Store or iOS App Store.

▶ Method 1

www.ilifsmart.com/getapp.html

▶ Method 2



WARRANTY DESCRIPTION

Thank you for purchasing this LifeSmart product. In order to protect your rights, please read the following content carefully: The warranty period of our company's products is one year from the date of purchase or longer if local laws impose a longer minimum term, in which case the minimum term is the warranty period. During the warranty period, any faults caused by the product itself or for quality problems that arise under normal usage, LifeSmart will provide a free replacement.

User support e-mail address

support@ilifsmart.com

Website

www.ilifsmart.com



Manufacturer: HANGZHOU LIFESMART TECHNOLOGY CO.,LTD.

Address: 10-11th Floor, Building A, SUPCON Information, 352 Bingkang Road
Binjiang, Hangzhou, Zhejiang, China

ATTENTION

The following conditions are not covered by the warranty:

- Product failure or damage caused by installation, use, and maintenance that is not in accordance with the product instructions;
- Products beyond the warranty period;
- Products that have the barcode tampered with or removed;
- Devices that have been tampered with or customized outside of LifeSmart Terms Of Service as on the LifeSmart APP and website;
- User-caused damage, such as inappropriate voltage input, high temperature, accidental spillage, physical damage, etc;
- Product failure or damage caused by force majeure such as earthquakes, fires, or floods;
- Product failure or damage caused by other problems except the product itself.

DECLARATION

LifeSmart is a trademark of Hangzhou LifeSmart Technology Co., Ltd. As for the trademarks, product logos and product names from other companies presented within this manual, they are possessed by their own right holders. Without our written permission, no entity or individual shall extract, copy or disseminate in part or the whole of the manual contents in any form. Due to product version upgrades or other reasons, content of this manual may change. Our company reserves the right to change the contents of this manual without any notice. This manual is used only for instructional purposes. We strive to provide accurate information in this manual, but we are not able to ensure that the content of this manual is current. Statements, information and advice in this manual do not constitute any expressed or implied assurance. Updated manuals are available on our website at www.ilifesmart.com or by contacting our team.

DECLARATION OF CONFORMITY

Hereby, LifeSmart declares that the radio equipment type is in compliance with Directive 2014/53/EU. The full text of the EU declaration of conformity is available at the following internet address: <http://global.ilifesmart.com/ce/docs/>



Notice: This device may be used in each member state in EU.



Facebook: [ilifesmarthome](https://www.facebook.com/ilifesmarthome)



Twitter: [ilifesmarthome](https://twitter.com/ilifesmarthome)

Copyright © 2020 LifeSmart Inc. All Rights Reserved. P/N: 88005850